

MINIATURE CHECK VALVES LTD
c/o Cambridge Reactor Design Ltd
Unit D2, Brookfield Business Centre
Twentypence Road,
Cottenham,
CB24 8PS,
England, UK



PRODUCT **5/32 or 4mm MINIATURE CHECK VALVE**
PART NUMBER **124360**

Product Features

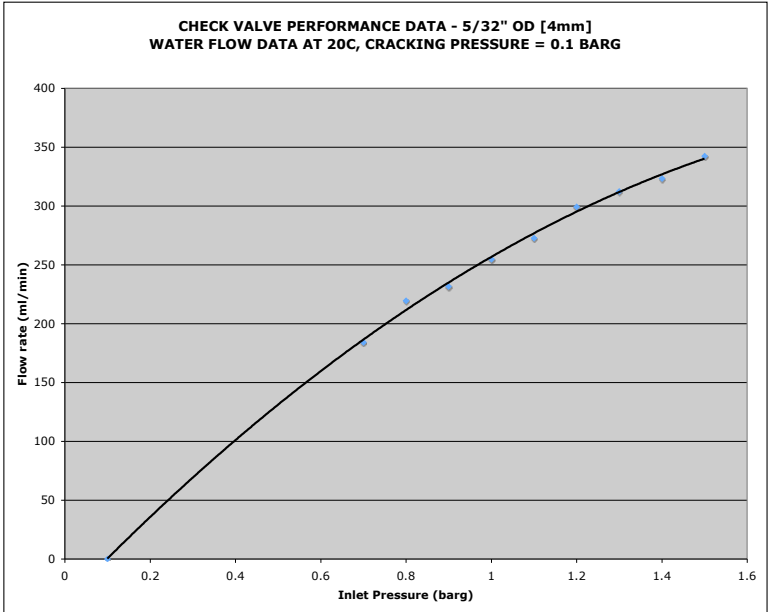
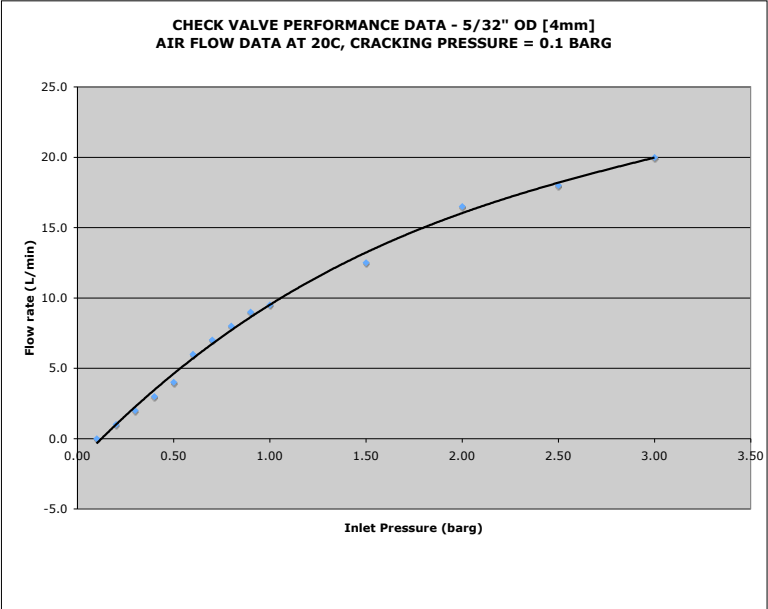
- Low cracking pressure for easy use in most applications
- Miniature assembly suitable for tight spaces

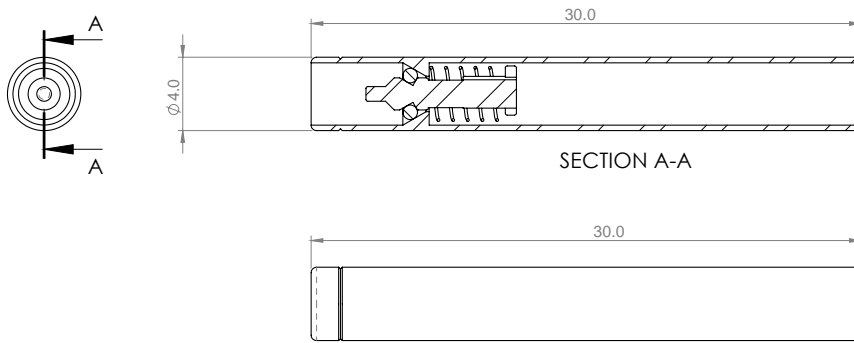
T 01954 252522 • **E** info@miniaturecheckvalves.com • **W** www.miniaturecheckvalves.com

COMPANY NUMBER 12867736 | VAT NUMBER GB357540388

Technical Information

Connectivity, Tube OD	mm	4
Length	mm	30
Material		316 SS
Total Pressure rating	Bar	30
Nominal flow of air with the pressure drop across the valve of 1 bar	nL/min	10
Nominal flow of water with the pressure drop across the valve of 1 bar	L/min	0.3
Spring material options		316 SS C22 C276
Cracking Pressure options	Bar	0.1 0.2 0.5 1 2
Seal options		EPDM FKM VMQ FFKM
Operating temperature range, FKM	C	-20C to 150C





SIZE



PART NUMBER 124360
DRAWING 4mm Check valve SS, 30mm long
VERSION 1